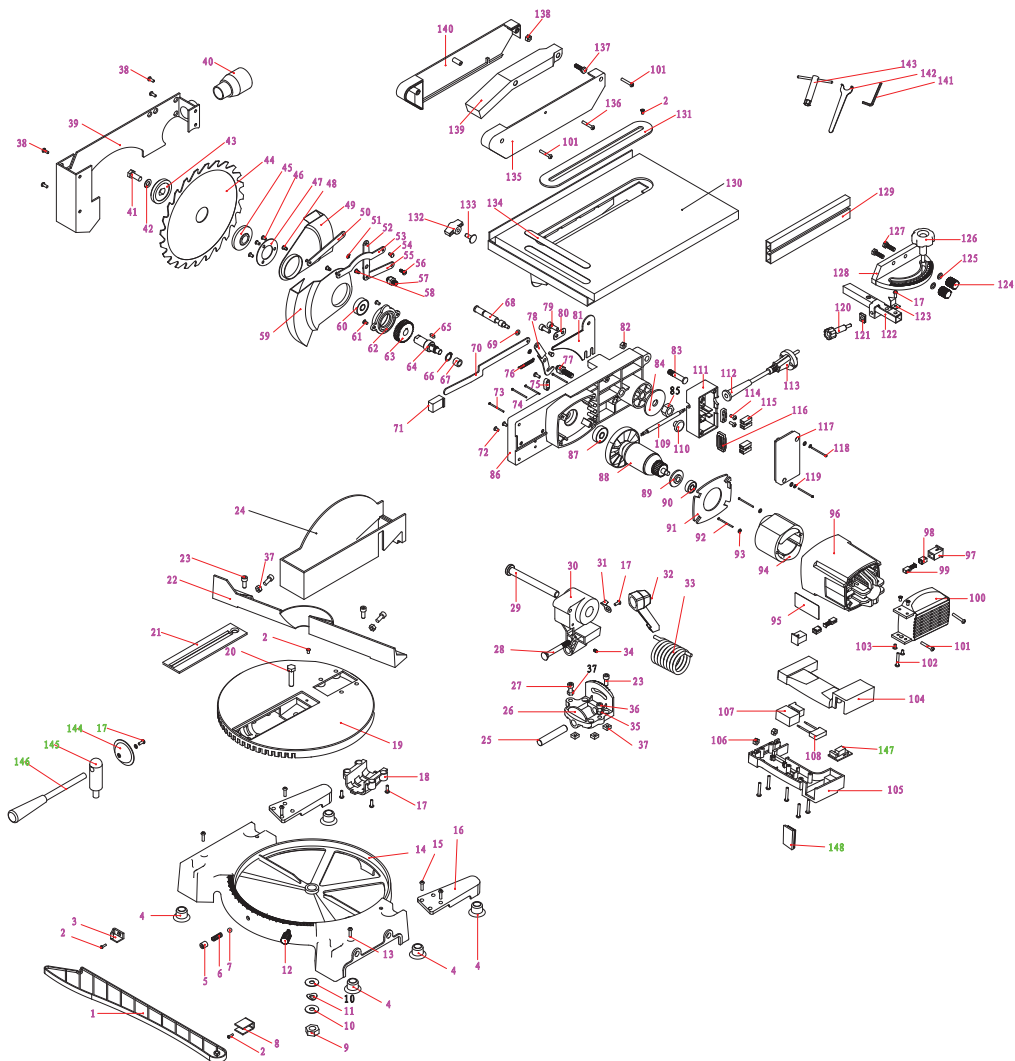


Exploded drawing of Mitre Saw RD-MS10



Spare Parts List of Mitre Saw RD-MS10

Item	Name	Qty	Item	Name	Qty	Item	Name	Qty
1	push bar	1	51	hatch washer $\phi 5$	1	101	screw ST4X20	5
2	screw M4X8	3	52	middle connect bar	1	102	screw ST4X35	1
3	left push bar holder	1	53	upper connect bar	1	103	screw ST4X12	4
4	rubber feet	6	54	screw	1	104	upper handle	1
5	screw M10X6	1	55	bottom connect bar	1	105	lower handle	1
6	located spring	1	56	upper connect bar bolt	1	106	srew M5	2
7	steel ball $\phi 8$	1	57	middle connect bar bolt	1	107	switch	1
8	right push bar holder	1	58	relax & lock rivet	2	108	capacitance	1
9	screw M8	1	59	back transparant guard	1	109	cable	1
10	flat washer $\phi 8$	2	60	bearing	1	110	pusher handle	1
11	wave washer $\phi 8$	1	61	screw M4X12	3	111	junction box	1
12	tighted bolt	1	62	bearing house	1	112	cable sleeve	1
13	screw M5X14	2	63	gear	1	113	cable plug	1
14	base	1	64	principal axis	1	114	screw ST4X16	2
15	screw M4X12	6	65	flat washer 4x4x10	1	115	connection pole	2
16	extentional feet	2	66	elastic collar $\phi 12$	1	116	square shaped inductor	1
17	screw M4x8	4	67	needle bearing HK0910	1	117	junction box cover	1
18	round base lining plate	1	68	pusher	1	118	screw M4X45	2
19	round base	1	69	O seal ring	1	119	spring washer	2
20	srew M8X35	1	70	push handle	1	120	leader tighted handwheel	1
21	lining plate	1	71	relax & lock knob	1	121	leader washer	1
22	location ruler	1	72	screw M5X12	2	122	leader	1
23	screw M6X22	6	73	screw ST4X50	2	123	table pointer	1
24	blade protector	1	74	screw ST4X45	2	124	tighted screw	2
25	short axes	1	75	wire board	1	125	flat washer $\phi 6$	2
26	supporter	1	76	pull spring	1	126	table handwheel	1
27	screw M6x18	1	77	push claw bolt	1	127	screw M6X20	2
28	tighted screw	1	78	push claw	1	128	location ruler	1
29	connection screw	1	79	screw M5X12	2	129	guider	1
30	bar holder	1	80	blade fellow washer	2	130	top table	1
31	inclined cutting pointer	1	81	blade fellow	1	131	table lining plate	1
32	tighted spanner	1	82	screw M8	1	132	table tighted knob	1
33	spring	1	83	table connect axis	1	133	table tighted screw	1
34	screw M5X10	1	84	frame press board	1	134	scale label	1
35	screw M6X14	1	85	screw M12	1	135	right table cover	1
36	screw M6	2	86	frame	1	136	screw ST4X25	4
37	square screw M6	4	87	bearing 6200	1	137	table connect screw	1
38	screw M5X10	4	88	armature	1	138	screw M5	1
39	frame protector	1	89	dust protector	1	139	table cover connect bar	1
40	dust tie-in	1	90	bearing 608	1	140	left table cover	1
41	screw M8X18	1	91	winding guard ring	1	141	S5 hexangular spanner	1
42	clamping washer	1	92	screw st4x58	2	142	flat blade spanner	1
43	upper clamping plate	1	93	flat washer $\phi 4$	2	143	sleeve blade spanner	1
44	saw blade	1	94	stator	1	144	clamping ring	1
45	bottom clamping	1	95	nameplate	1	145	clamping pole	1
46	screw M4X10	3	96	housing	1	146	clamping knob	1
47	transparent guard baffle	1	97	brush holder	2	147	protecting plugboard	1
48	cover rivet	1	98	cupper set	2	148	switch cover	1
49	front transparent guard	1	99	carbon brush	2			
50	upper connect bar	1	100	housing cover	1			